

# PORTS & ACCESSORIES



## CONTOURED 4" & 5" PORTS

Each screw-in port includes one deck ring and one lid. The deck ring has a contoured surface for leak-free installation on a curved deck. The kit includes two ports, nylon fasteners, silicone sealant and instructions. Cat Bags are not included. By Viking Marine.

**For H-14, N-5.0, N-5.2, N-5.8**

01-1161WH	4" Port only White	\$9.75	01-1171WH	5" Port only White	\$11.50
01-1161BK	4" Port only Black	\$9.75	01-1171BK	5" Port only Black	\$11.50
01-1164WH	4" 2-Port Kit White	\$37.00	01-1174WH	5" 2-Port Kit White	\$40.00
01-1164BK	4" 2-Port Kit Black	\$37.00	01-1174BK	5" 2-Port Kit Black	\$40.00

**For H-16**

01-1171WH	5" Port only White	\$11.50
01-1171BK	5" Port only Black	\$11.50
01-1174WH	5" 2-Port Kit White	\$40.00
01-1174BK	5" 2-Port Kit Black	\$40.00

Sorry, lids are not available separately.



## A-B. CAT BAGS

Sturdy nylon bags with plastic collars hang inside Viking access ports on a molded shoulder. 4" port bags are 9" deep. 5" and 6" bags are 12" deep. Fat Cat bags have the same depth, but 12" maximum diameter for greater storage capacity.

A.	01-1169	4" Cat	\$16.50
B.	01-1170	4" Fat Cat	\$19.75
	01-1178	5" Cat	\$18.50
	01-1179	5" Fat Cat	\$25.00
<b>For H-18 Viking Screw-In Ports (#01-4210)</b>			
	01-4212	6" Cat Bag	\$20.00
	01-4213	6" Fat Cat Bag	\$28.00



## FLAT DECK 4" & 5" PORTS

Each screw-in port includes one deck ring and one lid. The deck ring is designed to install on a flat surface. A lip accommodates Cat Bags (not included). By Viking Marine.

01-1191WH	4" Port White	\$9.50
01-1195WH	5" Port White	\$11.25



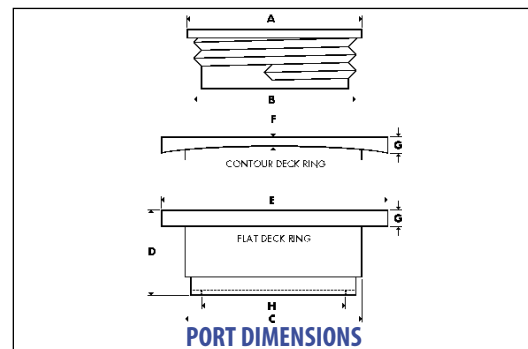
## SCREW-IN 6" PORTS

Standard on Hobie® 18 and new Prindle cats; upgrade for older Prindles. Install on any flat deck, including kayaks, where there is 8-1/2" of flat surface available. The 6" port by Viking has a lip for a Cat Bag. Each.

01-4210	White	\$14.00
01-4210BK	Black	\$14.00

## WHY INSTALL DECK PORTS?

Deck ports provide ventilation, access to storage space and entry for inspection or repair. They are a good way to dry out hulls so that your boat is not carrying around excess weight. Black color has superior UV resistance.



	4" contour	4" flat	5" contour	5" flat	6" screw-in
A	4-15/32"	4-15/32"	5-15/32"	5-15/32"	6-7/16"
B	4-1/8"	4-1/8"	5-1/8"	5-1/8"	6-1/8"
C	4-1/2"	4-1/2"	5-1/2"	5-1/2"	6-1/2"
D	7/8"	7/8"	7/8"	7/8"	1-1/4"
E	5-3/4"	5-3/4"	6-3/4"	6-3/4"	8-3/16"
F	3/32"		1/8"		
G	1/4"	3/16"	3/16"	3/16"	1/4"
H	3-3/4"	3-3/4"	4-5/8"	4-5/8"	5-9/16"

## WHICH PORT FITS WHICH BOAT?

01-1161WH or BK Contoured 4"	01-1171WH or BK Contoured 5"	01-1191WH Flat 4"	01-1195WH Flat 5"	01-4210 Screw-In 6"
H-14	H-16	Nacra aft & forward**	Tiger*	H-18
Inters	Wave	Nacra forward**	H-20	Prindles

\*Fill and redrill fastener holes \*\*Forward is on-stock; choose flat or contoured depending on location

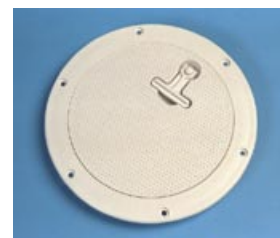
## REPLACEMENT "O" RINGS FOR VIKING PORTS

01-1161OR	For 4" Port	\$1.00
01-1171OR	For 5" Port	\$1.50
01-4210OR	For 6" Port	\$1.50
01-1185OR	For 8" Port	\$2.95

## PORT INSTALLATION

Apply silicone generously to ring and deck. Do not overtighten fasteners as this may deform ring. Fastener kits include all needed fasteners for two ports plus Silicone sealant.

01-1159	Fastener Kit White	\$17.95
01-1160	Fastener Kit Black	\$17.95
40-8019	Clear Silicone 3 oz	\$14.99
19-1520BK	Nylon Screw #8-32x1-1/4" Black	\$.28
19-1520WH	Nylon Screw #8-32x1-1/4" White	\$.28
19-4006WH	Nylon Washer #8 White	\$.06
19-2020WH	Nylon Hex Nut #8-32 White	\$.20
19-1517	Flat Head Machine Screw 8x1" Stainless Steel	\$.30
19-2016	Hex Nut 8x32 Stainless Steel	\$.16
19-4011	Washer Stainless Steel	\$.20



## TWIST-LOCK DECK PLATES

Feature a twist lock handle which allows easy removal without pry tools. The polypropylene deckplates are acetone resistant. Each.

01-1184WH	6"	\$26.00
01-1185WH	8"	\$36.00



**TIP** When installing port, apply silicone #40-8019 where rope goes through lid to reduce leakage.